

Delta Power Supplies



ES - SERIES 150 - 300 watt



150 watt, 52 mm high, 90 - 265 VAC input

ES015-10	0 - 15 V	0 - 10 A
ES030-5	0 - 30 V	0 - 5 A
ES075-2	0 - 75 V	0 - 2 A
ES0300-0.45	0 - 300 V	0 - 0.45 A

300 watt, 52 mm high, 110 / 230 VAC input

ES030-10	0 - 30 V	0 - 10 A
----------	----------	----------

- The smallest and lightest bench power supplies (1.7 - 3.1 kg)
- Programming and monitoring connections at rear panel



EST150 150 watt Triple Power Supply

150 watt, 132 mm high, 90 - 265 VAC input

Output 1	0 - 20 V	0 - 2.5 A
Output 2	0 - 20 V	0 - 2.5 A
Output 3	0 - 10 V	0 - 5 A

- Ripple only 0.5 mV rms
- Independant and floating outputs
- Low weight: 3.5 kg

SM - SERIES (1 / 2) 600 - 1500 watt



SM18-50



SM52-AR-60

600 / 800 watt, 2U high, 90 - 265 VAC input

SM 7.5-80	0 - 7.5 V	0 - 80 A
SM 18-50	0 - 18 V	0 - 50 A
SM70-AR-24 <i>autoranging</i>	0 - 35 V 0 - 70 V	0 - 24 A 0 - 12 A
SM400-AR-4 <i>autoranging</i>	0 - 200 V 0 - 400 V	0 - 4 A 0 - 2 A

- Efficiency up to 91%
- CC Stability 10^{-4}
- Low ripple & noise
- High reliability
- Programmable: Analog, Analog Isolated, **Ethernet**, RS232, IEEE488
- Fast dynamic response

1500 watt, 2U high, 90 - 265 VAC input

SM 15-100	0 - 15 V	0 - 100 A
SM 35-45	0 - 35 V	0 - 45 A
SM 52-30	0 - 52 V	0 - 30 A
SM52-AR-60 <i>autoranging</i>	0 - 26 V 26 - 52 V	0 - 60 A 0 - 30 A
SM 70-22	0 - 70 V	0 - 22 A
SM 120-13	0 - 120 V	0 - 13 A
SM 300-5	0 - 300 V	0 - 5 A
SM 400-AR-8 <i>autoranging</i>	0 - 200 V 200 - 400 V	0 - 8 A 0 - 4 A

SM - SERIES (2 / 2) 3000 - 6000 watt



3000 watt, 3U high, 3x 400 VAC input

SM 15-200 D	0 - 15 V	0 - 200 A
SM 30-100 D	0 - 30 V	0 - 100 A
SM 45-70 D	0 - 45 V	0 - 70 A
SM 70-45 D	0 - 70 V	0 - 45 A
SM 120-25 D	0 - 120 V	0 - 25 A
SM 300-10 D	0 - 300 V	0 - 10 A

- Efficiency 91%
- CC Stability 10^{-4}
- Low ripple & noise
- High reliability
- Fast dynamic response
- Programmable: Analog, Analog Isolated, **Ethernet**, RS232, IEEE488



6000 watt, 4U high, 3x 400 VAC input

SM 15-400	0 - 15 V	0 - 400 A
SM 30-200	0 - 30 V	0 - 200 A
SM 45-140	0 - 45 V	0 - 140 A
SM 60-100	0 - 60 V	0 - 100 A
SM 70-90	0 - 70 V	0 - 90 A
SM 120-50	0 - 120 V	0 - 50 A
SM 300-20	0 - 300 V	0 - 20 A

POWER SUPPLY CONTROLLERS



Internal PSC-card

External PSC-module

- PSC-ETH** → **ETHERNET**
PSC 488 → **IEEE488 BUS COMPATIBLE**
PSC 232 → **RS232 BUS COMPATIBLE**

The PSC is an interface between the computer and an analog programmable power supply.

Features

- Voltage and current of the power supply can be programmed and monitored
- Readback of status signals
- Set the power supply in Remote/Local, Remote ShutDown etc.
- Two 14 - 16 bit output channels for programming, two 12 - 16 bit input channels for monitoring
- Software calibration, no trimmers

PSC-ETH EXT	External Ethernet module
PSC 488 EXT	External IEEE488 module
PSC 232 EXT	External RS232 module

Ordercodes for built-in and calibrated interfaces			
	Ethernet	IEEE488	RS232
ES150 - series	Option P150	External	Option P148
ES030-10	Option P179	External	External
SM800 - series	Option P256	Option P255	Option P254
SM1500 - series	Option P177	Option P184	Option P183
SM3000 - series	Option P149	Option P164	Option P146
SM6000 - series	Option P157	Option P156	Option P155

ACCESSORIES ES - and SM - SERIES



- **ISO AMP MODULE**, Isolation Amplifier for isolated programming and monitoring (4-channels), for the SM800-, SM1500-, SM3000-, SM6000-series an **ISO AMP CARD** can be built-in.
- **Master / Slave Series Adapter**, easy way to connect power supplies Master/Slave series

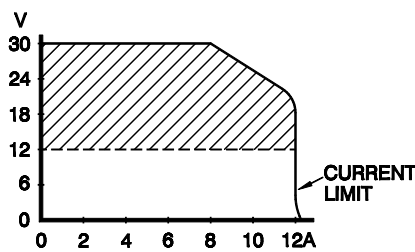


S - SERIES 240 - 280 watt
euro cassette switched mode

- Excellent for use in ATE (Automatic Test Equipment)
- Voltage and Current adjustable over **full** output range by screwdriver or by 0 - 5 V programming voltage
- Similar features as SM - series

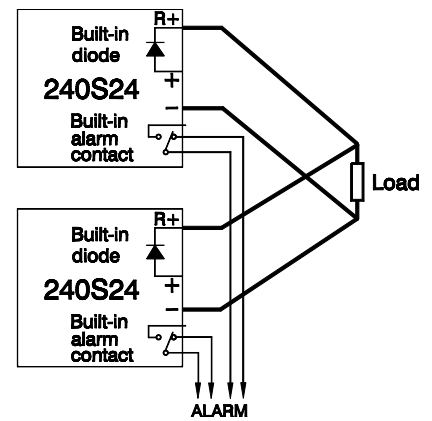
S 6 - 40	0 - 6 V	0 - 40 A
S 15 - 18	0 - 15 V	0 - 18 A
S 28 - 10	0 - 28 V	0 - 10 A

- Interfaces PSC-ETH EXT, PSC 488 EXT or PSC 232 EXT available for Ethernet, IEEE-488 or RS232 programming.

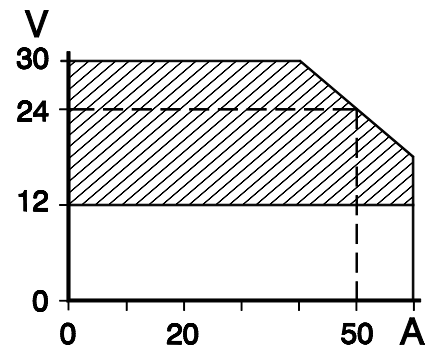


240 S 24 24 V 10 A
 12 - 30 V 12 A at 12 V to 8 A at 30 V

- Built-in diode and alarm contact for N+1 fault-tolerant (redundant) parallel operation
- Height 6 U, width 14 TE (front panel 16 TE)



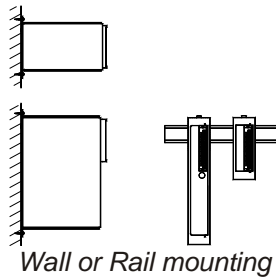
Redundant parallel operation



1200 watts output

600 S 24	24V / 25A	12 - 30 V adjustable	30 A at 12 V	to	20 A at 30 V
1200 S 24	24V / 50A	12 - 30 V adjustable	60 A at 12 V	to	40 A at 30 V
1200 S 48	48V / 25A	24 - 60 V adjustable	30 A at 24 V	to	20 A at 60 V

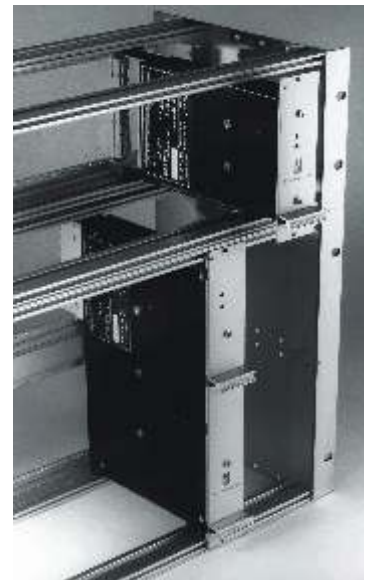
- 110 / 230 VAC input, DC input possible
- Low inrush current
- Input / Output dielectric strength 4 kV
- Output voltage screwdriver adjustable or programmable by 2 - 5 V
- **Built-in diode and alarm contact for N + 1 fault-tolerant (redundant) parallel operation**
- Low ripple + noise, 7 mV rms, 20 mV p-p
- High efficiency 89%
- Safety EN 60950 / EN 61010



Wall or Rail mounting

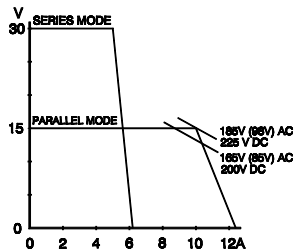


Transformer with split bobbin provides 4 kV dielectric strength between input and output



SX - SERIES 75 - 150 watt 110 / 230 VAC auto ranging input

75 SX 5		3.5 - 6 V	13 A
150 SX 5		3.5 - 6 V	26 A
75 SX 15-15	2x	6 - 15 V	2.5 A
150 SX 15-15	2x	6 - 15 V	5 A
150 SX 75-75	2x	15 - 75 V	1 A
150 SX 200-200	2x	35 - 200 V	0.3 A
ST 150		3.5 - 6 V	13 A
	2x	6 - 15 V	2.5 A



150 SX 15 - 15

- The 2 equal outputs can, at the connector, be put in parallel, series or dual mode.
- Example: 75SX 15-15 can be used for:
- | | | |
|------------|-----------|-------|
| | 6 - 15 V | 5 A |
| or | 12 - 30 V | 2.5 A |
| or + and - | 6 - 15 V | 2.5 A |



5 U 5	5 - 6 V	1 A	
5 U 15-15	2x 12 - 15 V	0.2 A	or 1x 12 - 15 V 0.4 A
UCS 50	current source	0 - 50 mA	max. 30V

U - SERIES 6 watt

Linear power supply modules

- Split bobbin, potted, safety transformer according to VDE0551 and EN60742
- 115 / 230 VAC input
- 93 x 58 x 35 mm
- For wall and rail mounting add -B to model number



Sept. 2007

